

Air Hydraulic Booster

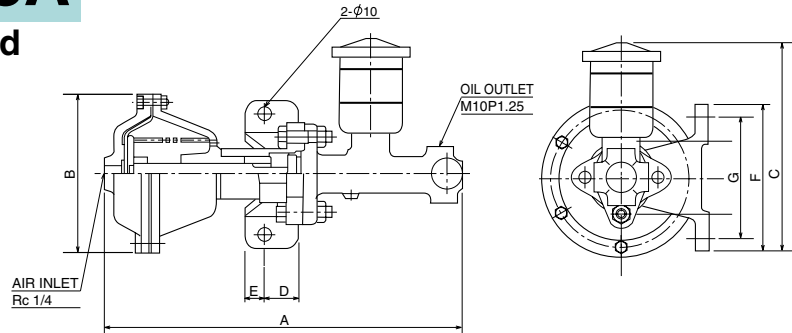
Increased hydraulic pressure can be obtained by supplying air, and control of disc brake is easily operated by ON-OFF of air.

DB-3223A - 3233A

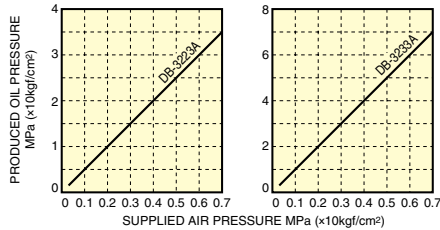
Air Applied Spring Released



DB-3233A



● CHARACTERISTIC CURVE



● DIMENSION LIST

Model Type	A	B	C	D	E	F	G	Discharge Oil Volume (cc)
DB-3223A	262	84	166	30	15	110	90	5
DB-3233A	269	118	166	30	15	110	90	5

Oil to be used: Use Brake Oil (Vegetable Oil). Also Brake for Mineral Oil are Available.

· Stand Type is also available.

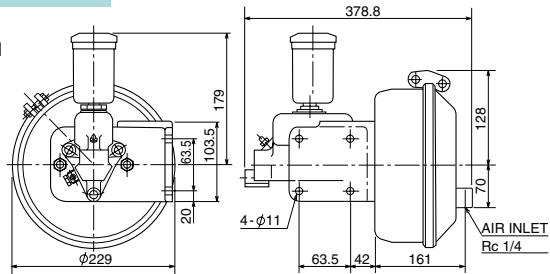
DB-3246A - 3256A - 2277A

Air Applied Spring Released

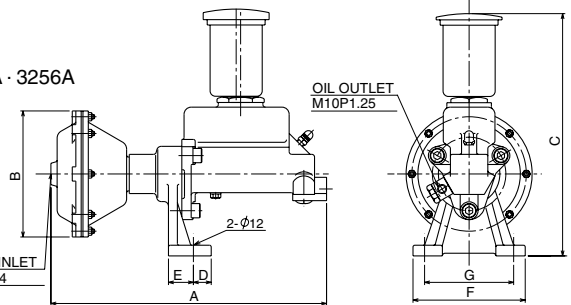


DB-3246A

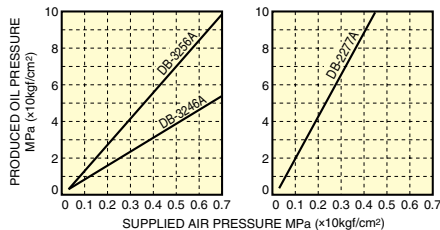
● DB-2277A
Discharge Oil
Volume 28cc



● DB-3246A - 3256A



● CHARACTERISTIC CURVE



● DIMENSION LIST

Model Type	A	B	C	D	E	F	G	Discharge Oil Volume (cc)
DB-3246A	308.5	141.5	272	20	28	125	100	19.4
DB-3256A	322.7	176.5	272	20	28	125	100	19.4

Oil to be used: Use Brake Oil (Vegetable Oil). Also Brake for Mineral Oil are Available.

· Dimensions and specifications might be changed for improvement without notice.