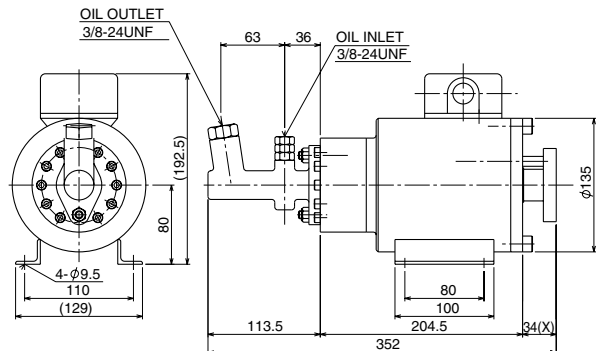
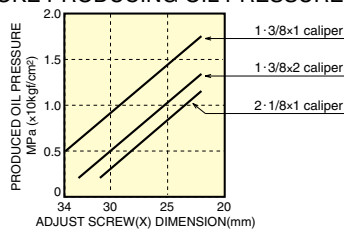


## DB-4134EFT



### ● STROKE PRODUCING OIL PRESSURE LIST

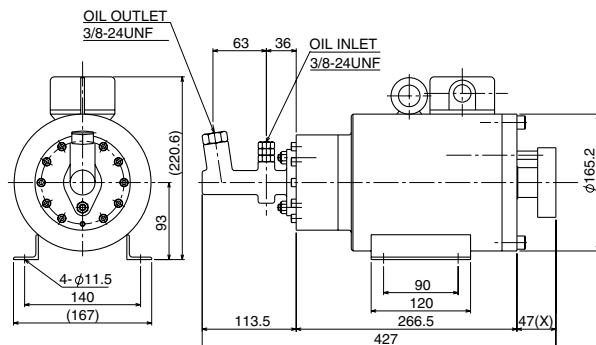


### ● SPECIFICATION

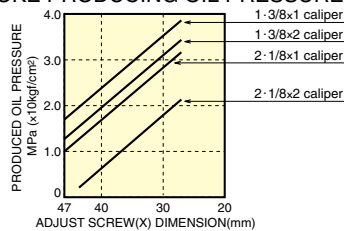
|                             |  |
|-----------------------------|--|
| · MODEL TYPE                | DB-4134EFT   |
| · DISCHARGE OIL VOLUME (cc) | 3  |
| · DASH SUPPLY VOLTAGE (V)   | DC150-210  |
| · KEEP SUPPLY VOLTAGE (V)   | DC20-31  |
| · POWER CONSUMPTION (W)     | 17<br>(CONDUCTION CONTINUOUSLY AT DC31V)           |
| · DUTY RATE                 | 360 C/H-50%ED<br>OR CONTINUOUSLY KEEPING DUTY RATE |
| · SUITABLE POWER SUPPLY BOX | AP-2403 *  |
| · WEIGHT (kg)               | 15.5   |

Oil to be used: Use Brake Oil (Vegetable).  
\*For detail refer page 32.

## DB-4144EFT



### ● STROKE PRODUCING OIL PRESSURE LIST



### ● SPECIFICATION

|                             |  |
|-----------------------------|--|
| · MODEL TYPE                | DB-4144EFT   |
| · DISCHARGE OIL VOLUME (cc) | 5  |
| · DASH SUPPLY VOLTAGE (V)   | DC150-210  |
| · KEEP SUPPLY VOLTAGE (V)   | DC20-31  |
| · POWER CONSUMPTION (W)     | 22<br>(CONDUCTION CONTINUOUSLY AT DC31V)           |
| · DUTY RATE                 | 360 C/H-50%ED<br>OR CONTINUOUSLY KEEPING DUTY RATE |
| · SUITABLE POWER SUPPLY BOX | AP-2403 *  |
| · WEIGHT (kg)               | 33   |

Oil to be used: Use Brake Oil (Vegetable Oil).  
\*For detail refer page 32.

\*Dimensions and specifications might be changed for improvement without notice.