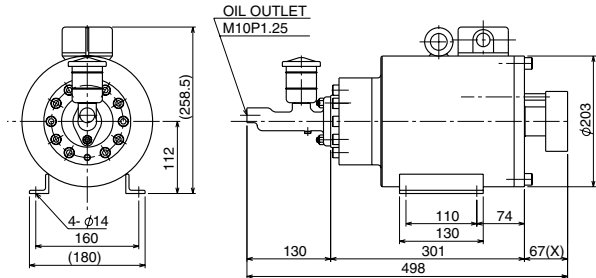
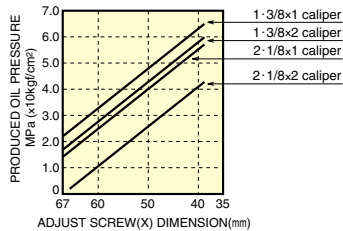


DB-4154EF



● STROKE PRODUCING OIL PRESSURE LIST

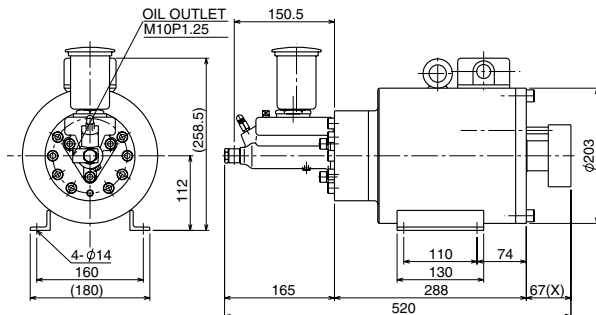
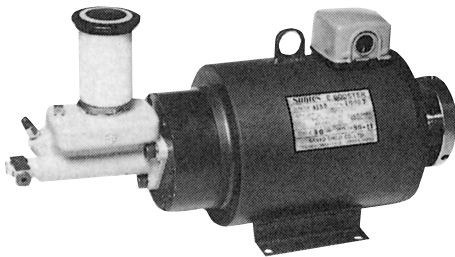


● SPECIFICATION

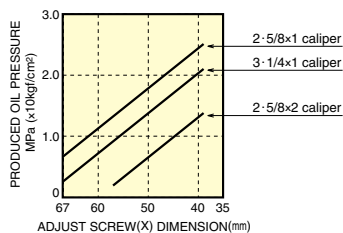
MODEL TYPE	DB-4154EF
DISCHARGE OIL VOLUME (cc)	7
DASH SUPPLY VOLTAGE (V)	DC150-210
KEEP SUPPLY VOLTAGE (V)	DC20-31
POWER CONSUMPTION (W)	37 (CONDUCTION CONTINUOUSLY AT DC31V)
DUTY RATE	360 C/H-50%ED OR CONTINUOUSLY KEEPING DUTY RATE
SUITABLE POWER SUPPLY BOX	AP-2403 *
WEIGHT (kg)	53.5

Oil to be used: Use Brake Oil (Vegetable).
*For detail refer page 32.

DB-4155EF



● STROKE PRODUCING OIL PRESSURE LIST



● SPECIFICATION

MODEL TYPE	DB-4155EF
DISCHARGE OIL VOLUME (cc)	12
DASH SUPPLY VOLTAGE (V)	DC150-210
KEEP SUPPLY VOLTAGE (V)	DC20-31
POWER CONSUMPTION (W)	37 (CONDUCTION CONTINUOUSLY AT DC31V)
DUTY RATE	360 C/H-50%ED OR CONTINUOUSLY KEEPING DUTY RATE
SUITABLE POWER SUPPLY BOX	AP-2403 *
WEIGHT (kg)	56

Oil to be used: Use Brake Oil (Vegetable).
*For detail refer page 32.

*Dimensions and specifications might be changed for improvement without notice.