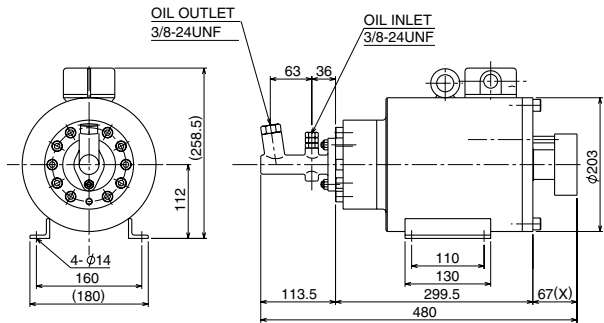
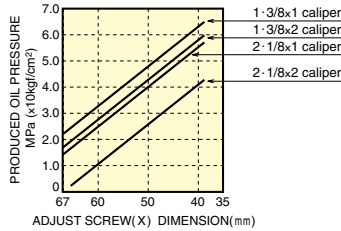


DB-4154EFT



● STROKE PRODUCING OIL PRESSURE LIST

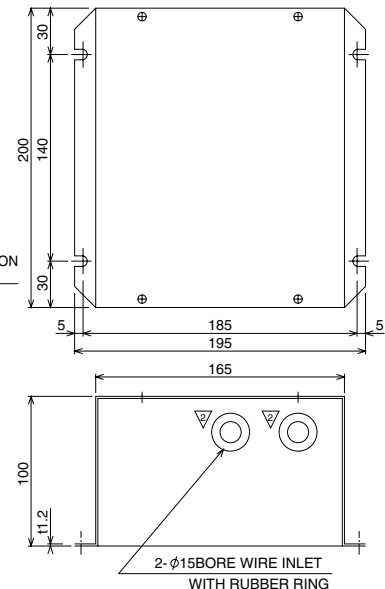
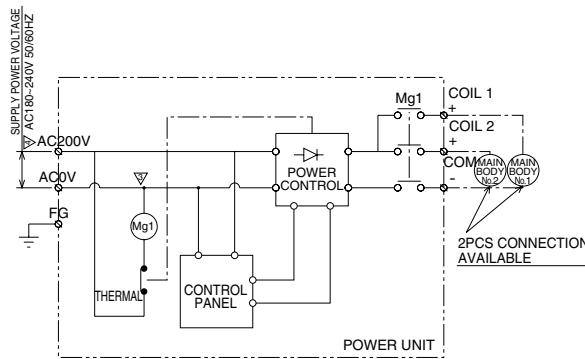


● SPECIFICATION

MODEL TYPE	DB-4154EFT
DISCHARGE OIL VOLUME (cc)	7
DASH SUPPLY VOLTAGE (V)	DC150-210
KEEP SUPPLY VOLTAGE (V)	DC20-31
POWER CONSUMPTION (W)	37 (CONDUCTION CONTINUOUSLY AT DC31V)
DUTY RATE	360 C/H-50%ED OR CONTINUOUSLY KEEPING DUTY RATE
SUITABLE POWER SUPPLY BOX	AP-2403 *
WEIGHT (kg)	53.5

Oil to be used: Use Brake Oil (Vegetable).
*For detail refer page 32.

Power Supply Box



● SPECIFICATION

MODEL TYPE	AP-2403
SUPPLY POWER VOLTAGE (V)	AC180-240 50/60Hz
DASH SUPPLY VOLTAGE (V)	DC150-210
KEEP SUPPLY VOLTAGE (V)	DC20-31
MAX. RATE (A)	17 (AT DASH-IN WITH SUPPLY POWER VOLTAGE AC-240V WHEN 2 PCS CONNECTED)
DUTY RATE	1800/h
WEIGHT (kg)	4

*Consult for Power Supply source except AC200/220V.
*Poor noise environment of power supply source may lead to wrong operation and/or damage. Please consult.

*Dimensions and specifications might be changed for improvement without notice.