

PC...A Series

· ONE SIDE POSI. CLAMPER (ONLY ONE SIDE OF CLAMPER) IS ALSO AVAILABLE.
PLEASE CONSULT FOR APPLICATION.

- Non-backlash specification
- Large retraction
- Compact & light weight



PC-140A-01



PC-200A-01



PC-300A-01

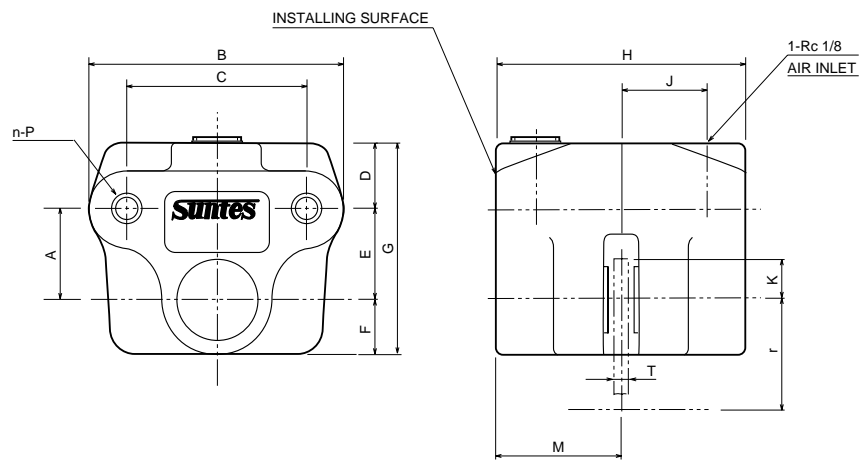
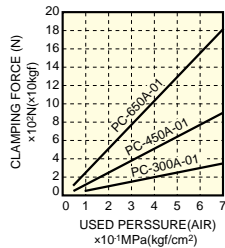
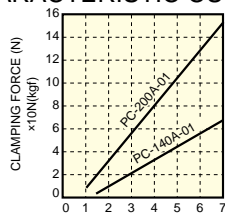


PC-450A-01



PC-650A-01

● CHARACTERISTIC CURVE



‡ COEFFICIENT OF STATIC FRICTION=0.4

- Posi. clamper is divided into two sides. Only one side is usable. Disc thickness is changeable. Please contact us.
- Holding force would decrease when using for non-backlash. In this case, consult.

● DIMENSION LIST

MODEL TYPE	A	B	C	D	E	F	G	H	J	K	M	n-P	T	PAD MODEL	MASS(kg)
PC-140A-01	18	51	36	13	18	11	42	50	17	8	25	2-M 6 × 16	3	DB-0480-***	0.2
PC-200A-01	21	63	45	18	21	15	54	55	18.5	10	27.5	2-M 8 × 15.5	6	DB-0481-***	0.35
PC-300A-01	28	79	54	18	28	24	70	68	24	12	34	2-M10 × 19	6	DB-0482-***	0.69
PC-450A-01	30	104	74	23	30	32	85	79	29.5	18	39.5	2-M14 × 21.5	10	DB-0483-***	1.3
PC-650A-01	46	144	103	35	46	45	126	100	38.5	29	50	2-M16 × 26	10	DB-0484-***	3.3

● SPECIFICATION

MODEL TYPE	PC-140A-01	PC-200A-01	PC-300A-01	PC-450A-01	PC-650A-01
· USABLE DISC DIA (mm)	φ50-∞	φ100-∞		φ150-∞	φ260-∞
· EFFECTIVE RADIUS OF BRAKING (m)	$r = \frac{1}{1000} (\frac{DISC DIA}{2} - 8)$	$r = \frac{1}{1000} (\frac{DISC DIA}{2} - 10)$	$r = \frac{1}{1000} (\frac{DISC DIA}{2} - 12)$	$r = \frac{1}{1000} (\frac{DISC DIA}{2} - 18)$	$r = \frac{1}{1000} (\frac{DISC DIA}{2} - 29)$
· PAD MODEL TYPE	DB-0480-K01※	DB-0481-K01※	DB-0482-K01※	DB-0483-K01※	DB-0484-K01※
· WEAR ALLOWANCE OF PAD (mm)	2	2	2	2	2
· CYLINDER DIA (mm)	φ14	φ20	φ30	φ45	φ65
· AREA OF CYLINDER (cm ²)	1.54	3.14	7.07	15.90	33.17
· WORKING PRESSURE (AIR) (MPa)	0.15-0.7	0.1-0.7		0.05-0.7	
· TORQUE CALCULATION (CLAMPING FORCE=kN)	$T (kN \cdot m) = kN \times r$				

· Dimensions and specifications might be changed for improvement without notice.