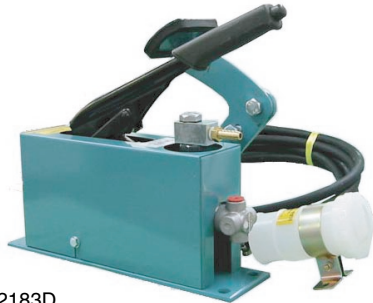


DB-2183·2184·2185

This unit is equipped with pedal and hand lever. Normally brake is operated by pedal like automobile. For parking, able to retain oil pressure at same position by pulling hand lever.

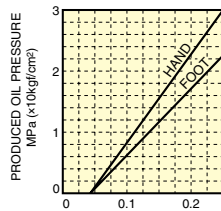
"D" and "E" at end of model number means for crane use and this model includes reservoir tank and blade hose metal for separate installation.



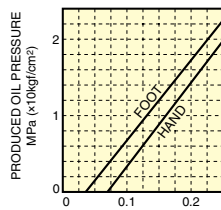
DB-2183D

● CHARACTERISTIC CURVE

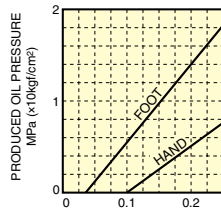
DB-2183



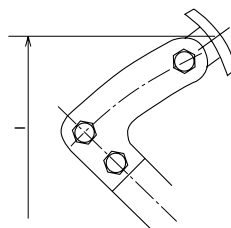
DB-2184



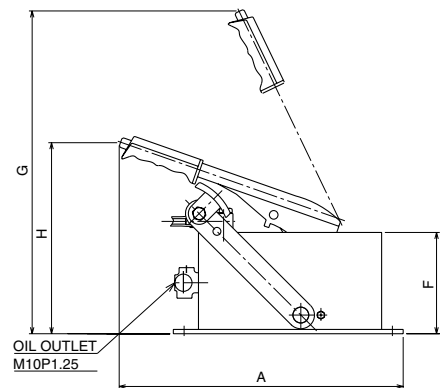
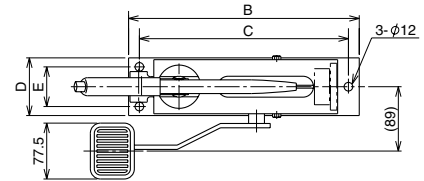
DB-2185



OPERATION FORCE kN (x10²kgf)



WHEN EXTENSION LEVER USED.



● DIMENSION LIST

| Model Type | A | B | C | D | E | F | G | H | I | Discharge Oil Volume (cc) | Reservoir Hose Length (m) |
|------------|-----|-----|-----|-----|----|-----|-----|-----|-----|---------------------------|---------------------------|
| DB-2183 | 393 | 320 | 290 | 80 | 55 | 141 | 423 | 267 | 255 | 5 | - |
| DB-2183D | 393 | 320 | 290 | 80 | 55 | 141 | 423 | 267 | 255 | 5 | 5 |
| DB-2184 | 384 | 360 | 330 | 84 | 60 | 161 | 425 | 261 | 272 | 6.9 | - |
| DB-2184D | 384 | 360 | 330 | 84 | 60 | 161 | 425 | 261 | 272 | 6.9 | 5 |
| DB-2185 | 508 | 365 | 335 | 110 | 80 | 188 | 427 | 305 | 315 | 12 | - |
| DB-2185D | 508 | 365 | 335 | 110 | 80 | 188 | 427 | 305 | 315 | 12 | 10 |

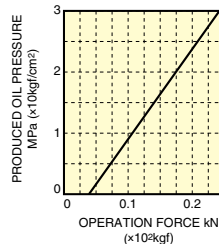
Oil to be used: Use Brake Oil (Vegetable Oil). Also Brake for Mineral Oil are Available.

Hand Lever Unit DB-2173

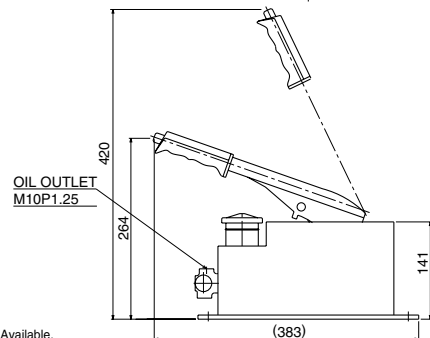
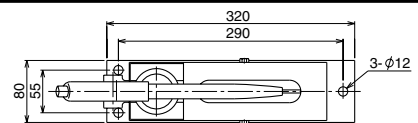
[Power Unit Hand Operated]



● CHARACTERISTIC CURVE



Oil to be used: Use Brake Oil (Vegetable Oil). Also Brake for Mineral Oil are Available.



*Dimensions and specifications might be changed for improvement without notice.