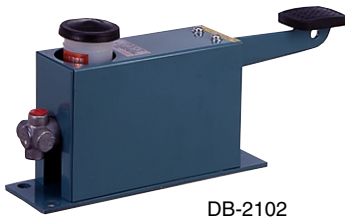


Foot Pedal Unit

Brake is operated by stepping on to foot pedal like automobile. This unit is used for crane, running truck etc.

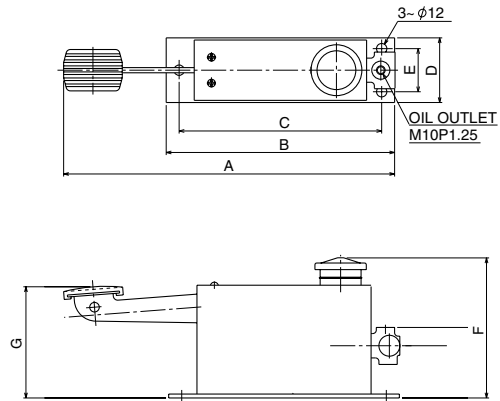
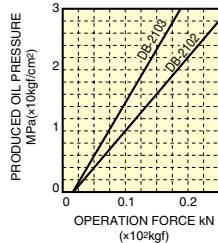
" C " at end of model type number means for crane use and this model includes reservoir tank and blade hose metal for separate installation.

DB-2102 - 2103



DB-2102

● CHARACTERISTIC CURVE



● DIMENSION LIST

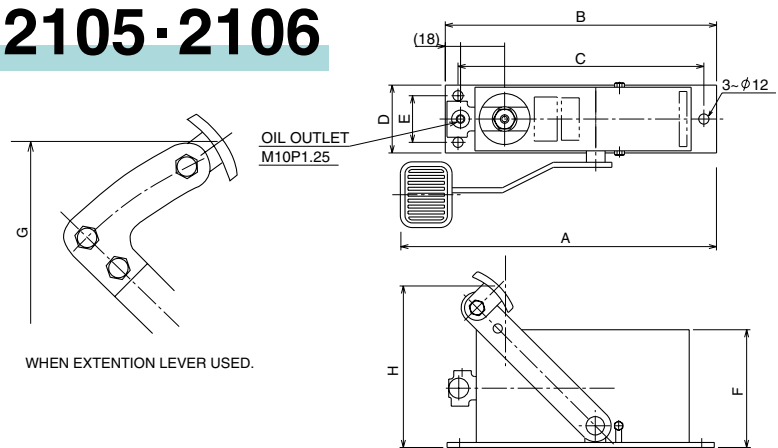
Model Type	A	B	C	D	E	F	G	Discharge Oil Volume (cc)	Reservoir Hose Length (m)
DB-2102	386	265	235	75	50	161	128	5	-
DB-2102C	386	265	235	75	50	130	128	5	5
DB-2103	453	265	235	75	50	161	158	5	-

Oil to be used: Use Brake Oil (Vegetable Oil). Also Brake for Mineral Oil are Available.

DB-2123 - 2104 - 2105 - 2106

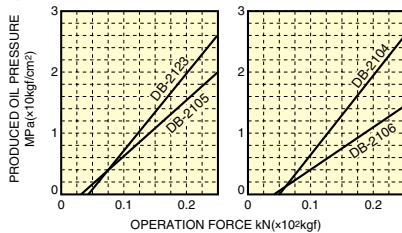


DB-2123C



WHEN EXTENSION LEVER USED.

● CHARACTERISTIC CURVE



● DIMENSION LIST

Model Type	A	B	C	D	E	F	G	H	Discharge Oil Volume (cc)	Reservoir Hose Length (m)
DB-2123	354	320	290	80	55	141	246	193	5	-
DB-2123C	354	320	290	80	55	141	246	193	5	5
DB-2104	382	300	270	95	65	168	315	262	6.9	-
DB-2104C	382	300	270	95	65	168	315	262	6.9	5
DB-2105	464	300	270	95	65	168	379	326	12	-
DB-2105C	464	300	270	95	65	168	379	326	12	10
DB-2106	471	300	270	95	65	168	379	326	19.4	-
DB-2106C	471	300	270	95	65	168	379	326	19.4	10

Oil to be used: Use Brake Oil (Vegetable Oil). Also Brake for Mineral Oil are Available.

*Dimensions and specifications might be changed for improvement without notice.