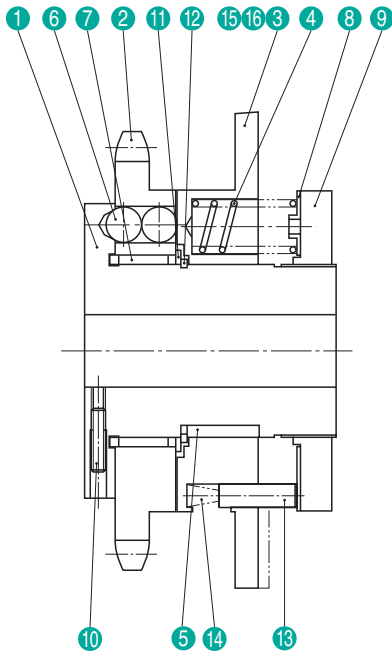


TX□B Type



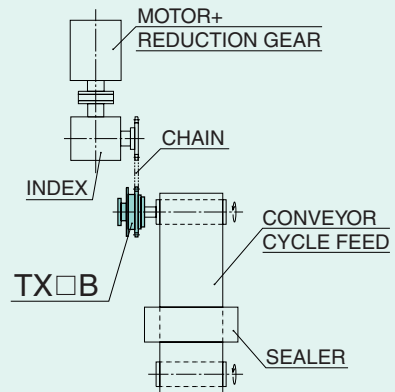
TX30B



● ADOPTION EXAMPLES



BOXING MACHINE



● NAMES OF PARTS

1	Hub boss
2	Sprocket
3	Action ring
4	Spring
5	Key
6	Steel ball
7	Bearing
8	Washer
9	Adjusting ring
10	Hexagon socket head setscrew
11	Ring
12	WR type stopper ring
13	Pin
14	Spring
15	Model name plate
16	Name plate

*Dimensions and specifications might be changed for improvement without notice.