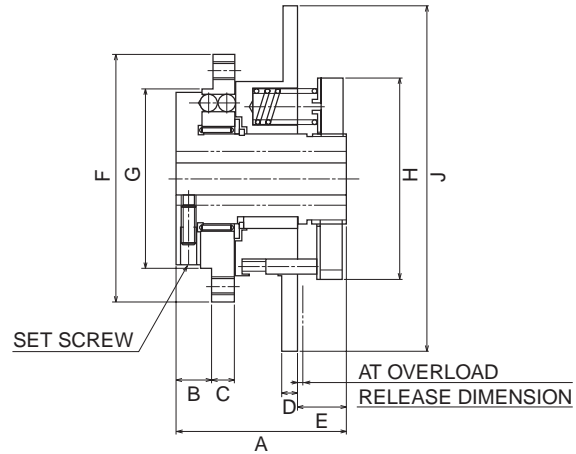
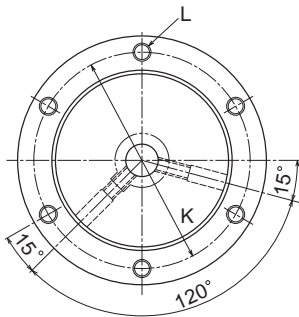


TX□D Type



● DIMENSION LIST

MODEL TYPE	A	B	C	D	E	φF	φG	φH	φJ	INSTALLATION BOLT	
										K PCD	L BOLT SIZE
TX15D-L · H · G	47	10	6.0	4	13.7	69	50 ⁺⁰ _{-0.025}	56	96	60	6-M5
TX20D-L · H · G	53	11	8.3	4	15.1	88	65 ⁺⁰ _{-0.030}	68	108	75	6-M6
TX30D-L · H · G	65	13	10.5	6	20.0	113	85 ⁺⁰ _{-0.035}	84	124	100	6-M6
TX40D-L · H · G	75	15	13.2	6	20.3	134	105 ⁺⁰ _{-0.035}	108	148	120	6-M8
TX50D-L · H · G	90	20	15.8	8	24.8	168	130 ⁺⁰ _{-0.040}	134	174	150	6-M10

● SPECIFICATION

MODEL TYPE	TORQUE RANGE N·m	SPRING COLOR × NO	MAX SPEED min ⁻¹	INERTIA MOMENT kg·m ²	WEIGHT kg	MAX HOLE DIA φmm	STANDARD HOLE DIA φmm	PREPARED HOLE DIA φmm	SET SCREW	RELEASE DIMENSION mm
TX15D-L	7 ~ 24	WHITE × 10	900	0.58 × 10 ⁻³	1.0	15	15H7 × 5Js9	9	2-M4	1.5
TX15D-H	8 ~ 38	R E DX 5								
TX15D-G	13 ~ 50	R E DX 10								
TX20D-L	12 ~ 43	WHITE × 12	750	1.3 × 10 ⁻³	1.5	20	20H7 × 6Js9	12	2-M4	1.9
TX20D-H	16 ~ 70	R E DX 6								
TX20D-G	40 ~ 100	R E DX 12								
TX30D-L	14 ~ 72	WHITE × 12	600	3.7 × 10 ⁻³	3.0	30	30H7 × 8Js9	19	2-M4	2.6
TX30D-H	33 ~ 170	R E DX 6								
TX30D-G	72 ~ 200	R E DX 12								
TX40D-L	20 ~ 160	WHITE × 12	450	9.6 × 10 ⁻³	5.0	40	40H7 × 12Js9	24	2-M5	2.9
TX40D-H	43 ~ 330	R E DX 6								
TX40D-G	97 ~ 400	R E DX 12								
TX50D-L	79 ~ 390	WHITE × 12	400	26.4 × 10 ⁻³	10.0	50	50H7 × 14Js9	34	2-M8	3.8
TX50D-H	130 ~ 580	R E DX 6								
TX50D-G	280 ~ 800	R E DX 12								

• Torque can be varied proportionally according to number of springs.
Number of springs can be used for minimum is three.

*Dimensions and specifications might be changed for improvement without notice.