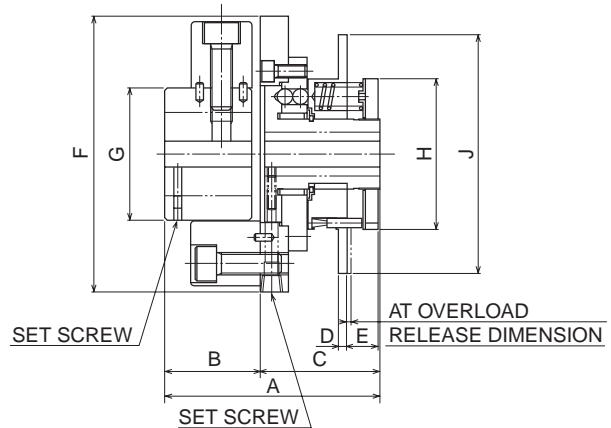
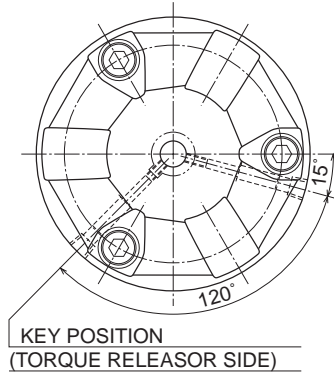


## TX□R Type



### ● DIMENSION LIST

MODEL TYPE	A	B	C	D	E	φF	φG	φH	φJ
TX15R-L · H · G	88	38	50	4	13.7	100	45	56	96
TX20R-L · H · G	99	44	55	4	15.1	125	60	68	108
TX30R-L · H · G	126	58	68	6	20.0	155	70	84	124
TX40R-L · H · G	148	64	84	6	20.3	175	85	108	148
TX50R-L · H · G	175	76	99	8	24.8	205	100	134	174
TX65R-L · H · G	215	92	123	8	29.9	260	125	172	212
TX85R-L · H · G	248	108	140	10	36.5	340	160	218	258

### ● SPECIFICATION

MODEL TYPE	TORQUE RANGE N·m	SPRING COLOR × NO	MAX SPEED min <sup>-1</sup>	INERTIA MOMENT kg·m <sup>2</sup>	WEIGHT kg	TORQUE RELEASOR				COUPLING			
						MAX HOLE DIA φmm	STANDARD HOLE DIA φmm	PREPARED HOLE DIA φmm	SET SCREW	MAX HOLE DIA φmm	PREPARED HOLE DIA φmm	SET SCREW	RELEASE DIMENSION mm
TX15R-L	7 ~ 24	WHITE×10	900	1.6×10 <sup>-3</sup>	2.3	15	15H7×5Js9	9	2-M4	30	12	2-M4	1.5
TX15R-H	8 ~ 38	R E DX 5											
TX15R-G	13 ~ 50	R E DX 10											
TX20R-L	12 ~ 43	WHITE×12	750	4.0×10 <sup>-3</sup>	3.8	20	20H7×6Js9	12	2-M4	38	12	2-M4	1.9
TX20R-H	16 ~ 70	R E DX 6											
TX20R-G	40 ~ 100	R E DX 12											
TX30R-L	14 ~ 72	WHITE×12	600	11.4×10 <sup>-3</sup>	7.2	30	30H7×8Js9	19	2-M4	48	15	2-M4	2.6
TX30R-H	33 ~ 170	R E DX 6											
TX30R-G	72 ~ 200	R E DX 12											
TX40R-L	20 ~ 160	WHITE×12	450	24.7×10 <sup>-3</sup>	11.4	40	40H7×12Js9	24	2-M5	55	15	2-M5	2.9
TX40R-H	43 ~ 330	R E DX 6											
TX40R-G	97 ~ 400	R E DX 12											
TX50R-L	79 ~ 390	WHITE×12	400	70.4×10 <sup>-3</sup>	22.0	50	50H7×14Js9	34	2-M8	65	20	2-M8	3.8
TX50R-H	130 ~ 580	R E DX 6											
TX50R-G	280 ~ 800	R E DX 12											
TX65R-L	80 ~ 480	WHITE×12	300	207.1×10 <sup>-3</sup>	46.8	65	65H7×18Js9	38	2-M10	85	30	2-M10	5.0
TX65R-H	200 ~ 1,000	R E DX 6											
TX65R-G	570 ~ 1,600	R E DX 12											
TX85R-L	270 ~ 1,100	YELLOW×12	200	662.6×10 <sup>-3</sup>	77.8	85	85H7×22Js9	48	2-M12	115	40	2-M12	6.0
TX85R-H	450 ~ 2,100	R E DX 6											
TX85R-G	1,300 ~ 3,200	R E DX 12											

• Torque can be varied proportionally according to number of springs.  
Number of springs can be used for minimum is three.

\*Dimensions and specifications might be changed for improvement without notice.