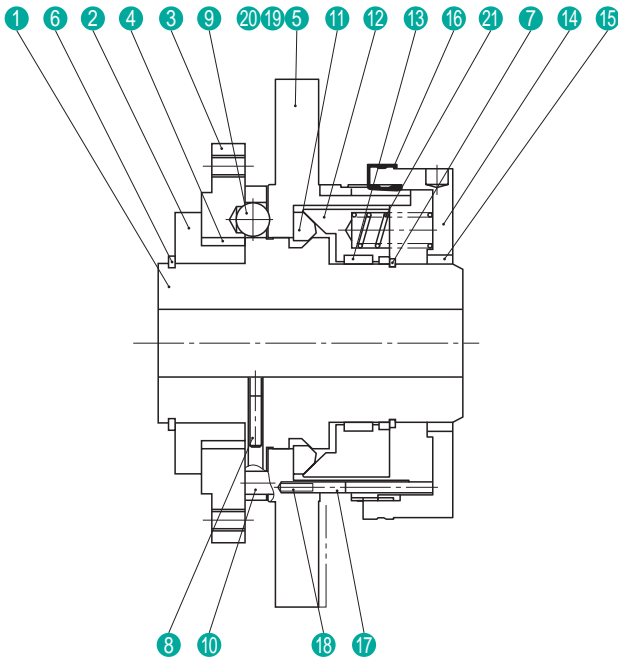


## TY□D Type



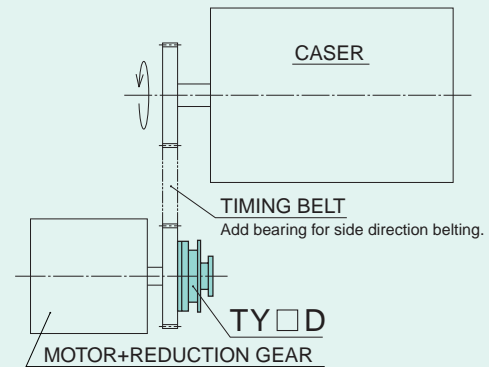
TY30D



### ● ADOPTION EXAMPLES



CASER



### ● NAMES OF PARTS

1	Hub boss
2	Thrust ring
3	Flange
4	Metal
5	Case
6	C-ring for shaft
7	WR type stopper ring
8	Hexagon socket head setscrew
9	Steel ball
10	Parallel pin
11	Segment
12	Taper ring
13	Slide ring
14	Adjusting ring
15	Metal
16	Clip
17	Pin
18	Spring
19	Model name plate
20	Name plate
21	Spring

\*Dimensions and specifications might be changed for improvement without notice.