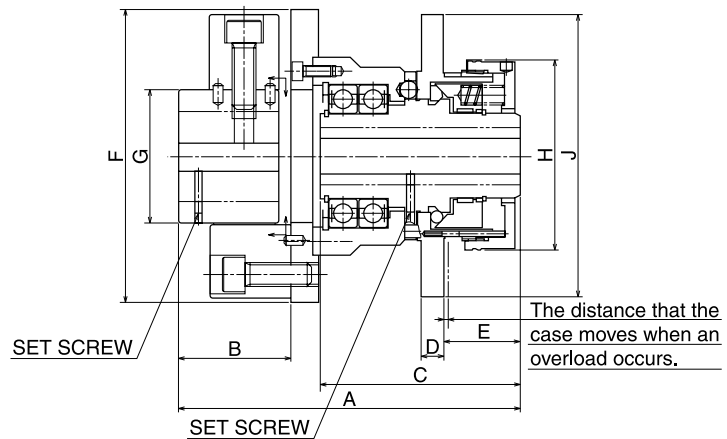
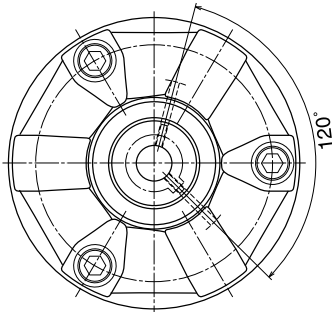


## TY□AR Type



### ● DIMENSION TABLE

MODEL	A	B	C	D	E	φ F	φ G	φ H	φ J
TY30AR-L · H · G	180	58	122	12	40.4	155	70	102	150
TY40AR-L · H · G	203	64	139	12	42.3	175	85	122	175
TY50AR-L · H · G	240	76	164	16	49.9	205	100	147	210
TY65AR-L · H · G	287	92	195	20	56.7	260	125	183	250
TY85AR-L · H · G	363	108	255	20	84.3	340	160	232	330

### ● SPECIFICATIONS

MODEL	TORQUE RANGE Nm	SPRING COLOR × QTY	MAX SPEED min <sup>-1</sup>	INERTIA MOMENT kg · m <sup>2</sup>	WEIGHT kg	TORQUE RELEASER				COUPLING			RELEASE DISTANCE mm
						MAX HOLE DIA φmm	STANDARD HOLE DIA φmm	PREPARED HOLE DIA φmm	SET SCREW	MAX HOLE DIA φmm	PREPARED HOLE DIA φmm	SET SCREW	
TY30AR-L	26 ~ 94	WHITE × 16	2,200	20 × 10 <sup>-3</sup>	9.0	30	30H7 × 8Js9	19	2-M4	15	48	2-M4	2.4
TY30AR-H	43 ~ 170	R E D × 8											
TY30AR-G	89 ~ 200	R E D × 16											
TY40AR-L	56 ~ 180	WHITE × 16	1,800	44 × 10 <sup>-3</sup>	15.0	40	40H7 × 12Js9	24	2-M5	15	55	2-M5	2.8
TY40AR-H	67 ~ 400	R E D × 8											
TY40AR-G	160 ~ 400	R E D × 16											
TY50AR-L	50 ~ 290	WHITE × 16	1,800	107 × 10 <sup>-3</sup>	27.0	50	50H7 × 14Js9	34	2-M6	20	65	2-M6	3.6
TY50AR-H	100 ~ 520	R E D × 8											
TY50AR-G	180 ~ 800	R E D × 16											
TY65AR-L	110 ~ 440	WHITE × 16	1,800	319 × 10 <sup>-3</sup>	59.0	65	65H7 × 18Js9	38	2-M10	30	85	2-M10	4.8
TY65AR-H	270 ~ 1,200	R E D × 8											
TY65AR-G	580 ~ 1,600	R E D × 16											
TY85AR-L	290 ~ 1,000	YELLOW × 16	1,800	1,113 × 10 <sup>-3</sup>	106.0	85	85H7 × 22Js9	48	2-M12	40	115	2-M12	5.8
TY85AR-H	580 ~ 2,000	R E D × 8											
TY85AR-G	1,100 ~ 3,200	R E D × 16											

- The operating torque varies according to the number of springs used.  
Up to three springs can be used.

\*Dimensions and specifications are subject to change without prior notice.